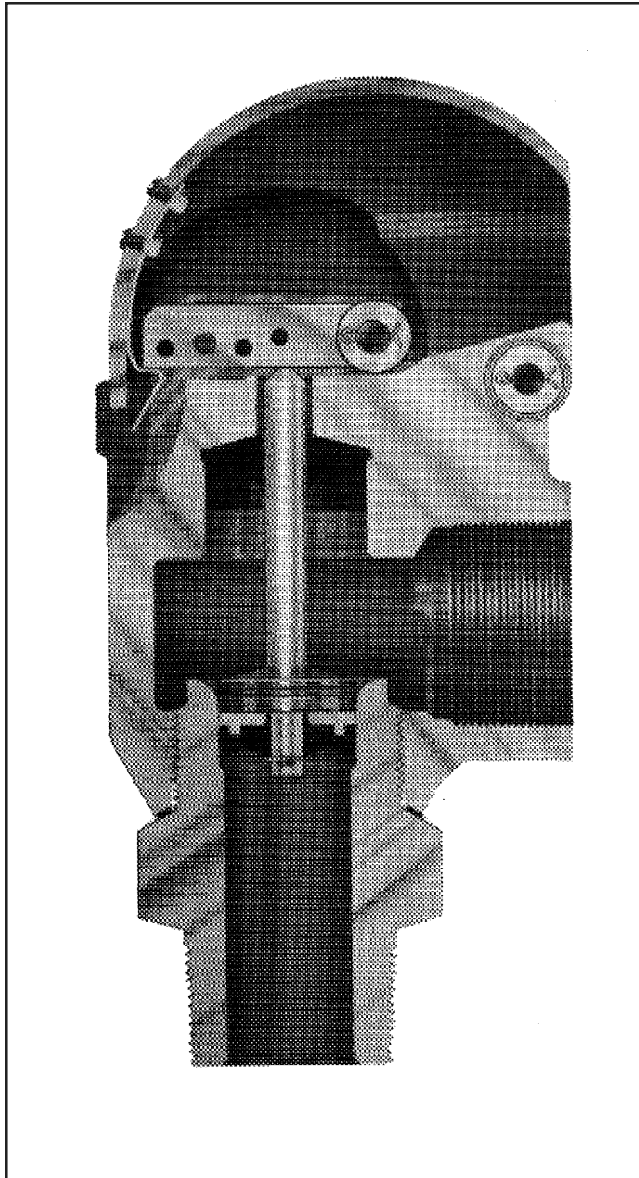


RELIEF VALVES



RELIEF VALVES (DEMCO® TYPE)

2" Drillmax Relief Valve

3" Drillmax Relief Valve

Drillmax
Inc.



"Maximum Drilling Technology"

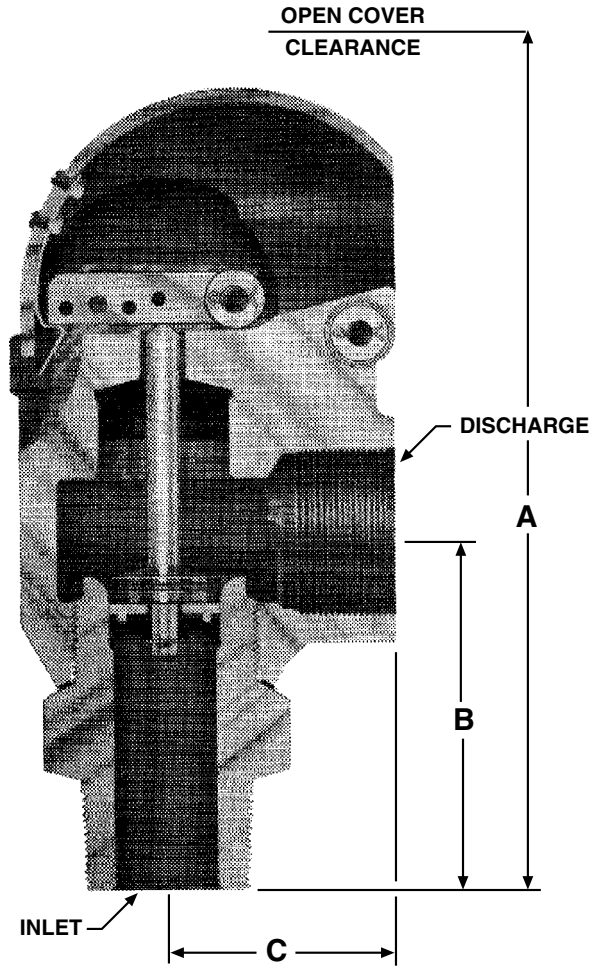
6735 Theall Rd.
Houston, TX 77066
(832) 286-0430
(832) 286-0436

sales@drillmax.com
www.drillmax.com

Why Settle for
Less —
Insist on the
Best!



ASSEMBLY PART NUMBER



BASE PART NO.	2656	- XX	X	3	X
2"-1000:	2656	- XX	X	3	X
2"-2750:	1735	-			
2"-5000:	1735	-			
3"-2000:	2404	-			
3"-4000:	2404	-			
3"-5000:	2404	-			
3"-7500:	3750	-			

ASSEMBLY PART NUMBER	10-1000	27-2750	40-4000	50-5000	75-7500
PRESSURE SERIES	10-1000	27-2750	40-4000	50-5000	75-7500
BODY MATERIAL	2-Steel				
STEM MATERIAL	3-SS				
SUB MATERIAL	2-Steel	3-SS			

The C_v values below can be used in the formulas:

$$Q = C_v \sqrt{\frac{\Delta P (8.34)}{D}}$$

$$\Delta P = \left(\frac{Q}{C_v}\right)^2 \times \frac{D}{8.34}$$

Q = Gallons per minute of flow through the valve.

ΔP = Pounds per square inch pressure drop across the valve.

D = Density of fluid in pounds per gallon.

VALVE SIZE	C _v
2"-1000	92
2"-2750	52
2"-5000	23
3"-2000	130
3"-4000	66
3"-5000	56

SHEAR PIN NUMBER	PIN DIAMETER (IN) ± .002
# 6	.1130
#10	.1483
#30	.2070
#40	.2253
#50	.2437
#60	.2625

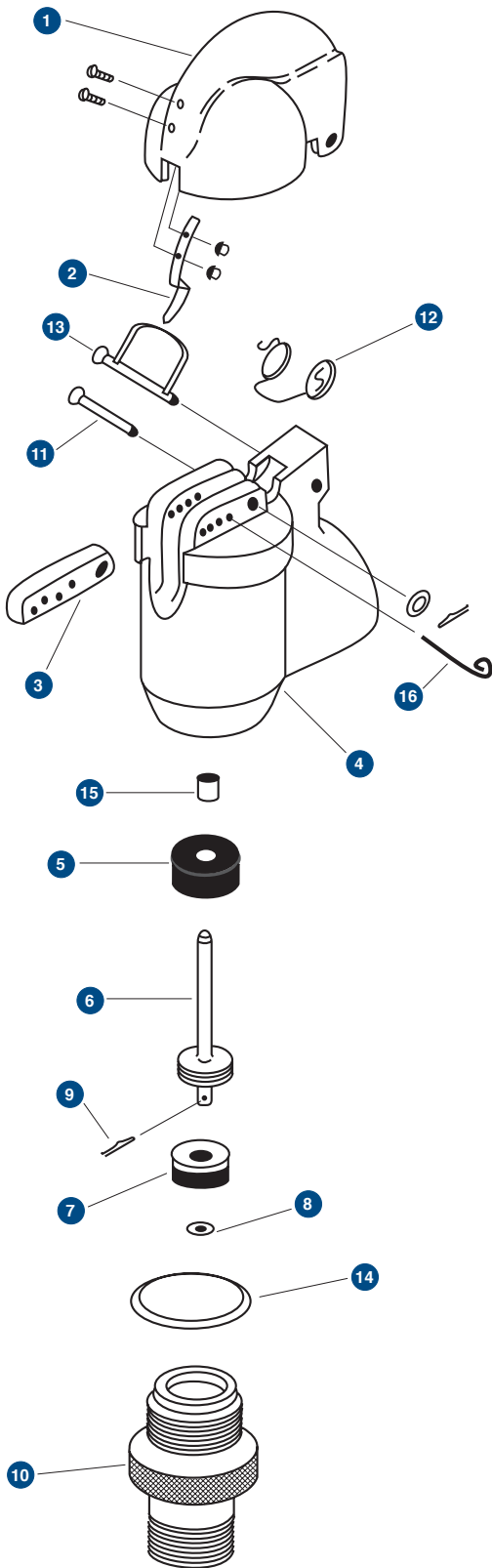
DIMENSION	SIZE	2" -1000	3" -4000
			-2750
A		11	15-3/8
B		4-3/4	6-7/8
C		3-3/8	4-5/8
THREADS		2" API LP	3" API LP
WEIGHTS		25 lbs.	35 lbs.

VALVE PRESSURE SETTINGS

VALVE SIZE	SHEAR PIN NUMBER (ONE ONLY)	SETTINGS (PSI)
2"-1000	# 6	400, 600, 800, 1000
2"-2750	#10	1250, 1750, 2250, 2750
2"-5000	#10	2300, 3200, 4100, 5000
3"-4000	#30	2400
	#40	3100
	#50	3600
	#60	4000
3"-5000	#30	2800
	#40	3200
	#50	4100
	#60	5000
3"-7500	#30	4000
	#40	5500
	#50	6500
	#60	7500

2" - Drillmax Relief Valves

Interchangeable with DEMCO®



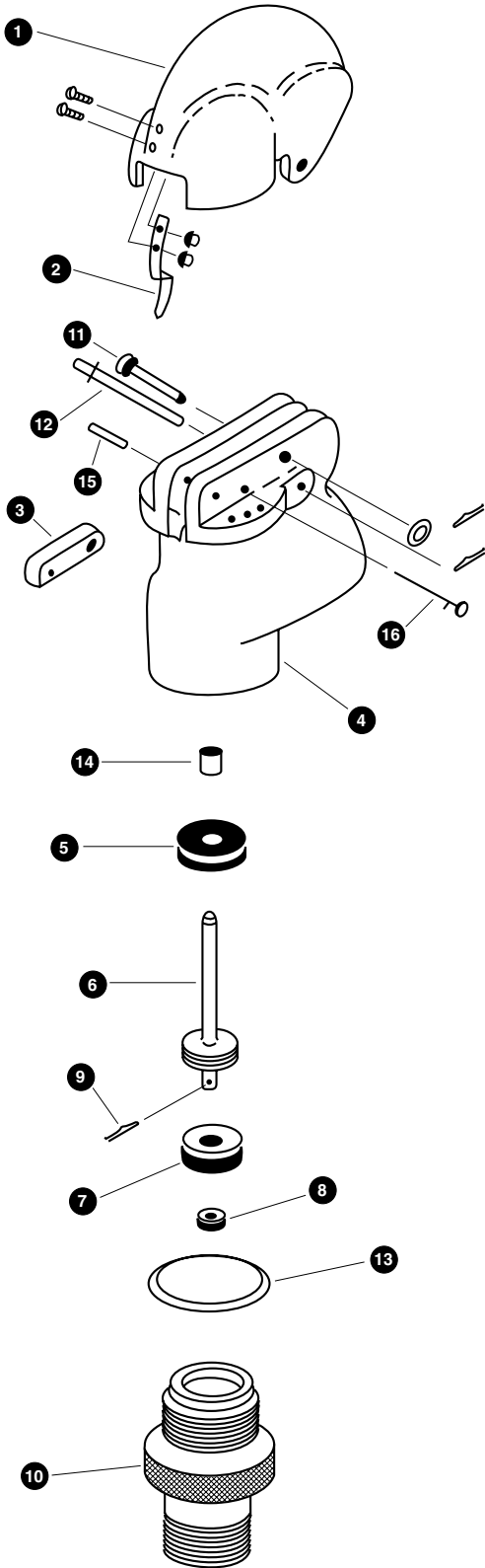
® Registered Trademark
belonging to others

Ref. No.	MATERIAL & DESCRIPTION	PRESSURE & SIZE		
		2" 1000	2" 2750	2" 5000
1	COVER ALUM.	2368		
2	LATCH SPRING W/SCREWS & NUTS	1720		
3	SHEAR BAR SST-17-4PH	17064	17065	
4	BODY	17063-002	17062-002	
5	CUSHION BUNA-N	2372		
6	STEM SST-17-4PH	1927-003	1238-003	2373-003
7	SEAL BUNA-N	2929	1240	1568
8	WASHER SST-18-8	5884-0131316		
9	COTTER PIN SST	5421-09312		
10	SUB STEEL-C1213	12379-002	2930-002	2374-002
	SUB SST-303	12379-003	2930-003	2374-003
11	PIN, SHEAR BAR STEEL-4140	5418-37517		
12	COVER SPRING SPRING STEEL	2375		
13	PIN, COVER STEEL-4140	5418-37537		
14	GASKET COPPER	2931		
15	BUSHING BRONZE	17027		
16	SHEAR PIN KIT CONTROLLED STEEL WIRE (COLOR)	17458 10 (#6)	17459 10 (#10)	
		OLIVE	COPPER	



3" - Drillmax Relief Valves

Interchangeable with DEMCO®



® Registered Trademark belonging to others

Ref. No.	MATERIAL & DESCRIPTION	PRESSURE & SIZE		
		3" 4000	3" 5000	3" 7500
1	COVER TEN Z ALLOY	2937		
2	LATCH SPRING W/SCREWS & NUTS	1720		
3	SHEAR BAR 17-4PH SST	NEW 17067 OLD 2672		
4	BODY	2084		
5	CUSHION BUNA-N	2939		
6	STEM 17-4PH SST	2942	1622	1623
7	SEAL BUNA-N	2945	1242	1243
8	WASHER SST-18-8	5884-0191913		
9	COTTER PIN	5421-09312		
10	SUB C1213 STEEL	2952	2953	NA
	SUB 303 SST	2949	2950	2951
11	PIN, SHEAR BAR STEEL-4140	NEW 5418-37527 OLD 5418-43735		
12	PIN, COVER STEEL-4140	2093		
13	GASKET COPPER	2954		
14	BUSHING BRONZE	17028		
15	SPRING PIN	5448-25025		
16	SHEAR PIN KIT CONTROLLED STEEL WIRE	2955		
	COLOR	INCLUDES 10 OF EA. SIZE		
		BLACK	2955-30	
		YELLOW	2955-40	
		SILVER	2955-50	
COPPER	2955-60			